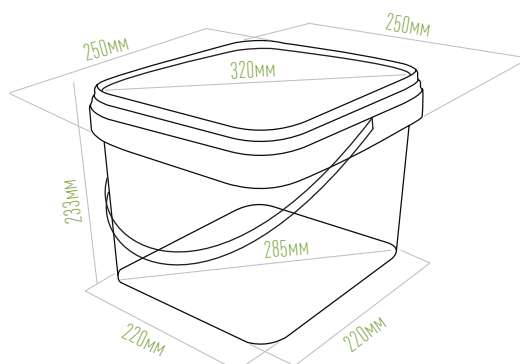


Technical data sheet

Square bucket 10,200 L: APS 10



mobile: +359 896 794 170
e-mail: info@agroplastm.com
www.agroplastm.com



Bucket dimensions

Length: 250 mm

Width: 250 mm

Height: 233 mm

Diagonal: 320 mm

ISO volume: 10,200 ml

Net weight with handle

252,4 g

Tolerances

On dimension ± 1 mm / inch

На грамаж/On gram ± 5 %

Applicable decoration

✓ IML

Materials

Material: PP

Paint: based master mix

Colour: all colors can be applied

Logistics (standard view)

Quantity in stack: 25 pcs.

Quantity per pallet: 1000 pcs.

Pallet dimensions: 1,30 / 1,10 m

Pallet height: 1,95 m

Productivity

Applicable packaging for filling high and low temperature products.

Filling temperature from -10 °C to $+85$ °C.

Expiry date

Validity is 5 years under proper storage conditions.

Packages should be stored in a closed environment without moisture, without direct sunlight.

Quality information

The production of the plastic product is carried out under strict hygienic conditions.

High-quality polypropylene is used and meets European quality standards. The product is suitable for use on any type of food.

Characteristics of the raw materials:



-10°C

+85°C

The technical specification of the product is provided by "Agro Plast M" EOOD, and may be subject to change if necessary.

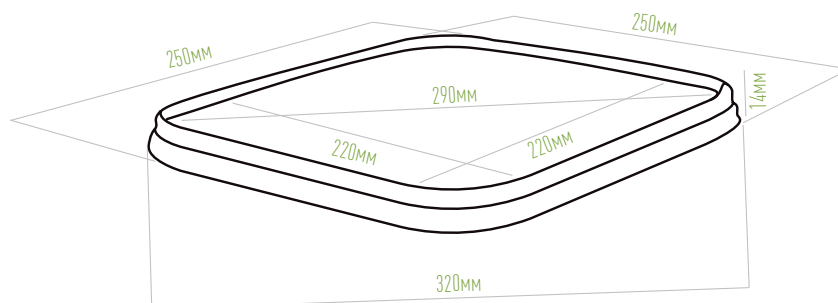
"Agro Plast-M" Ltd., 2 Radetski Str, Targovishte Region, 7848, Golyamo Gradishte, Bulgaria
Factory: Targovishte Region, 7849, Tsar Asen, Bulgaria

Technical data sheet

Square lid: APLS 5 / 10



mobile: +359 896 794 170
e-mail: info@agroplastm.com
www.agroplastm.com



Cover dimensions

Length: 250 mm

Width: 250 mm

Diagonal: 320 mm

Height: 14 mm

Net weight

59,5 g

Tolerances

On dimension ± 1 mm / inch

On gram ± 5 %

Applicable decoration

Without decoration

Materials

Material: PP

Paint: based master mix

Colour: all colors can be applied

Logistics (standard view)

Quantity in stack: 100 pcs.

Quantity per pallet: 5000 pcs.

Pallet dimensions: 1,30 / 1,10 m

Pallet height: 2,10 m

Productivity

Applicable packaging for filling high and low temperature products.

Filling temperature from -10 °C to $+85$ °C.

Expiry date

Validity is 5 years under proper storage conditions.

Packages should be stored in a closed environment without moisture, without direct sunlight.

Quality information

The production of the plastic product is carried out under strict hygienic conditions.

High-quality polypropylene is used and meets European quality standards. The product is suitable for use on any type of food.

Characteristics of the raw materials:



-10°C

+85°C

The technical specification of the product is provided by "Agro Plast M" EOOD, and may be subject to change if necessary.

"Agro Plast-M" Ltd., 2 Radetski Str, Targovishte Region, 7848, Golyamo Gradishte, Bulgaria
Factory: Targovishte Region, 7849, Tsar Asen, Bulgaria