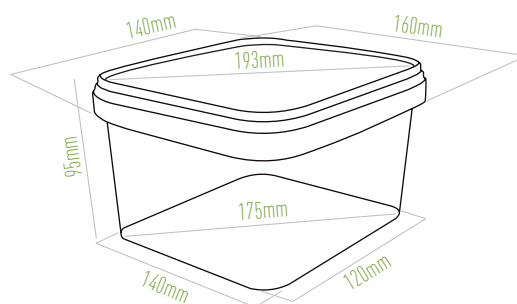


Technical data sheet

Square bucket: APS 1



mobile: +359 896 794 170
e-mail: info@agroplastm.com
www.agroplastm.com



Bucket dimensions

Length: 165 mm

Width: 145 mm

Height: 95 mm

Diagonal: 195 mm

ISO volume: 1,400 ml

Net weight

52,1 g

Tolerances

On dimension ± 1 mm / inch

On gram ± 5 %

Applicable decoration

✓ IML

Materials

Material: PP

Paint: based master mix

Color: all colors can be applied

Logistics (standard view)

Quantity in box: 100 pcs.

Quantity per pallet: 2400 pcs.

Pallet dimensions: 1,20/ 0,80 m

Pallet height: 1,65 m

Productivity

Applicable packaging for filling high and low temperature products.

Filling temperature from -10 °C to $+85$ °C.

Expiry date

Validity is 5 years under proper storage conditions.

Packages should be stored in a closed environment without moisture, without direct sunlight.

Quality information

The production of the plastic product is carried out under strict hygienic conditions.

High-quality polypropylene is used and meets European quality standards. The product is suitable for use on any type of food.

Characteristics of the raw materials:



-10°C

+85°C

The technical specification of the product is provided by "Agro Plast M" EOOD, and may be subject to change if necessary.

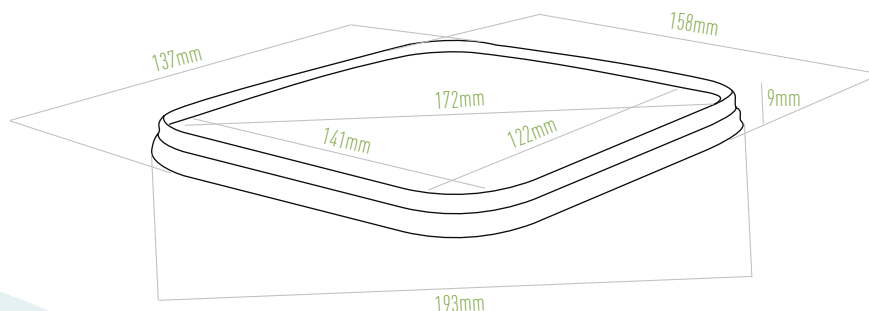
"Agro Plast-M" Ltd., 2 Radetski Str, Targovishte Region, 7848, Golyamo Gradishte, Bulgaria
Factory: Targovishte Region, 7849, Tsar Asen, Bulgaria

Technical data sheet

LID – for 800gr: APLS 1



mobile: +359 896 794 170
e-mail: info@agroplastm.com
www.agroplastm.com



Lid dimensions

Length: 158 mm

Width: 137 mm

Diagonal: 187 mm

Height: 9 mm

Net weight

16,6 g

Tolerances

On dimension ± 1 mm / inch

On dimension ± 1 mm / inch

Applicable decoration

✓ IML

Materials

Material: PP

Paint: based master mix

Color: all colors can be applied

Logistics (standard view)

Quantity in box: 400 pcs.

Quantity per pallet: 2400 pcs.

Pallet dimensions: 1,20 / 0,80 m

Pallet height: 1,65 m

Productivity

Applicable packaging for filling high and low temperature products.

Filling temperature from - 10 °C to + 85 °C.

Expiry date

Validity is 5 years under proper storage conditions.

Packages should be stored in a closed environment without moisture, without direct sunlight.

Quality information

The production of the plastic product is carried out under strict hygienic conditions.

High-quality polypropylene is used and meets European quality standards. The product is suitable for use on any type of food.

Characteristics of the raw materials:



-10°C



+85°C

The technical specification of the product is provided by "Agro Plast M" EOOD, and may be subject to change if necessary.

"Agro Plast-M" Ltd., 2 Radetski Str, Targovishte Region, 7848, Golyamo Gradishte, Bulgaria
Factory: Targovishte Region, 7849, Tsar Asen, Bulgaria