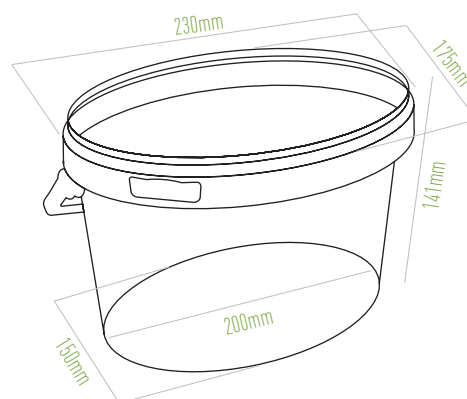


# Technical data sheet

Oval bucket with handle – 3,100 ml: APO 3



mobile: +359 896 794 170  
e-mail: info@agroplastm.com  
www.agroplastm.com



## Bucket dimensions

Length: 230 mm

Width: 175 mm

Height: 141 mm

Volume: 3,100 ml

## Net weigh with handle

121,2 g

## Tolerances

Dimension  $\pm 1$  mm / inch

On gram  $\pm 4$  %

## Applicable decoration

✓ IML

## Material

Material: PP

Paint :based master mix

Color: all colors can be applied

## Logistics (standard view)

Quantity in stack: 25 pcs.

Quantity per pallet: 1800 pcs.

Pallet dimensions: 1,30 / 1,10 m

Pallet height: 2,00 m

## Productivity

Applicable packaging for filling high and low temperature products.

Filling temperature from  $-10$  °C до  $+85$  °C.

## Expiry date

Validity is 5 years under proper storage conditions.

Packages should be stored in a closed environment without moisture, without direct sunlight.

## Quality information

The production of the plastic product is carried out under strict hygienic conditions. High-quality polypropylene is used and meets European quality standards. The product is suitable for use on any type of food.

## Characteristics of the raw materials:



$-10^{\circ}\text{C}$

$+85^{\circ}\text{C}$

The technical specification of the product is provided by "Agro Plast M" EOOD, and may be subject to change if necessary.

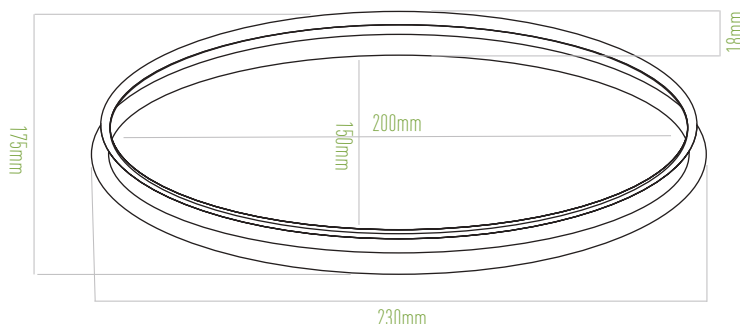
"Agro Plast-M" Ltd., 2 Radetski Str, Targovishte Region, 7848, Golyamo Gradishte, Bulgaria  
Factory: Targovishte Region, 7849, Tsar Asen, Bulgaria

# Technical data sheet

Oval Lid: APLO 3



mobile: +359 896 794 170  
e-mail: info@agroplastm.com  
www.agroplastm.com



## Lid dimensions

Length: 230 mm

Width: 175 mm

Height: 18 mm

## Net weight

39 g

## Tolerances

On dimension  $\pm 1$  mm / inch

On gram  $\pm 5$  %

## Applicable decoration

Without decoration

## Materials

Material: PP

Paint: based master mix

Colour: all colors can be applied

## Logistics (standard view)

Quantity in stack: 200 pcs.

Quantity per pallet: 6000 pcs.

Pallet dimensions: 1,30 / 1,10 m

Pallet height: 1,80 m

## Productivity

Applicable packaging for filling high and low temperature products.

Filling temperature from  $-10$  °C to  $+85$  °C.

## Expiry date

Validity is 5 years under proper storage conditions.

Packages should be stored in a closed environment without moisture, without direct sunlight.

## Quality information

The production of the plastic product is carried out under strict hygienic conditions.

High-quality polypropylene is used and meets European quality standards. The product is suitable for use on any type of food.

## Characteristics of the raw materials:



$-10^{\circ}\text{C}$

$+85^{\circ}\text{C}$

The technical specification of the product is provided by "Agro Plast M" EOOD, and may be subject to change if necessary.

"Agro Plast-M" Ltd., 2 Radetski Str, Targovishte Region, 7848, Golyamo Gradishte, Bulgaria  
Factory: Targovishte Region, 7849, Tsar Asen, Bulgaria